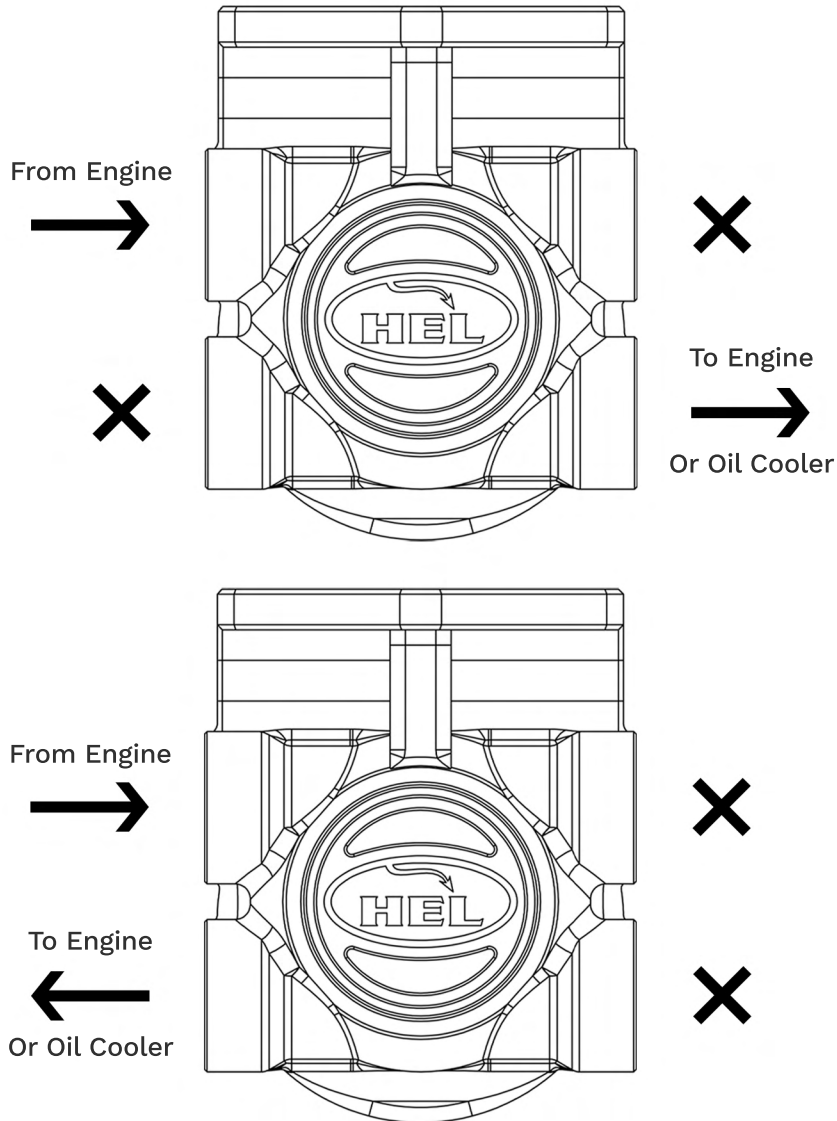


Installation Notes

Part No. HEL-RFH



Oil Filter Relocation Remote Head



A 'rear' port must always be used as the oil filter in.

A 'front' port must always be used as the oil filter out.

If an oil cooler is installed with an inline thermostat, the thermostat must be located post oil filter.

Please note, both inlet and outlet ports are M22 x 1.5mm thread.

⚠ Please Note Before operating the vehicle, it is the installer's responsibility to ensure that all components are fully tightened and secure. Failure to do so, could result in oil loss or, in the worst case, engine failure.

Contact

auto@helperformance.com
01392 811 601 (Option 2)



auto.helperformance.com

Revision 26/03/24

